

Q1
2SC461
FM RF AMP.

Q2
2SC535
FM CONV.

D1
IN60
FM LIMITER

Q3
2SC460
FM 1ST IF AMP.
AM CONV.

D2
IN34A
AGC

Q4
2SC454
FM 2ND IF AMP.
AM 1ST IF AMP.

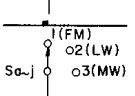
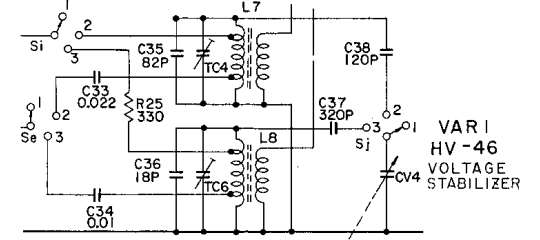
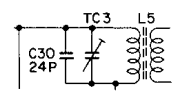
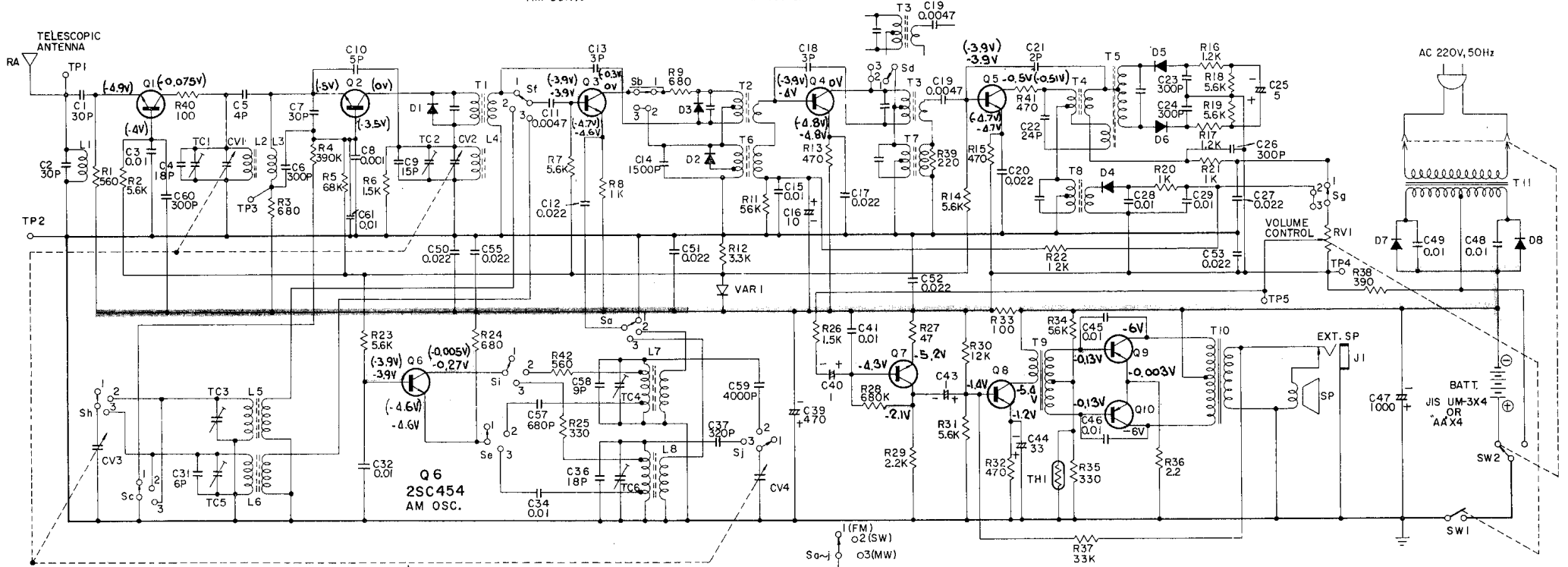
D3
IN60
FM LIMITER

Q5
2SC454
FM 3RD IF AMP.
AM 2ND IF AMP.

D4
IN34A
AM DET.

D5, D6
IN60P x 2
FM DET.

D7, D8
VO-6B x 2
RECTIFIER



Q7
2SC458
AF AMP.

Q8
2B75
DRIVER

TH1
D-2B
TEMP. COMP.

Q9, Q10
2SB156 x 2
POWER AMP.

NOTE:

- VOLTAGE MEASURED WITH VOLTMETER AT 6V DC, ⊕ SIDE BASE OF POWER SUPPLY, VOLUME CONTROL AT MINIMUM AND NO SIGNAL. VOLTMETER: TESTER 20KΩ/V VOLTAGE SHOWN IN () ARF FM POSITION.
- ALL RESISTANCE VALUES IN OHMS. K=1000
- ALL CAPACITANCE VALUES IN μF EXCEPT 'P' NOTED. P=μF=PF

